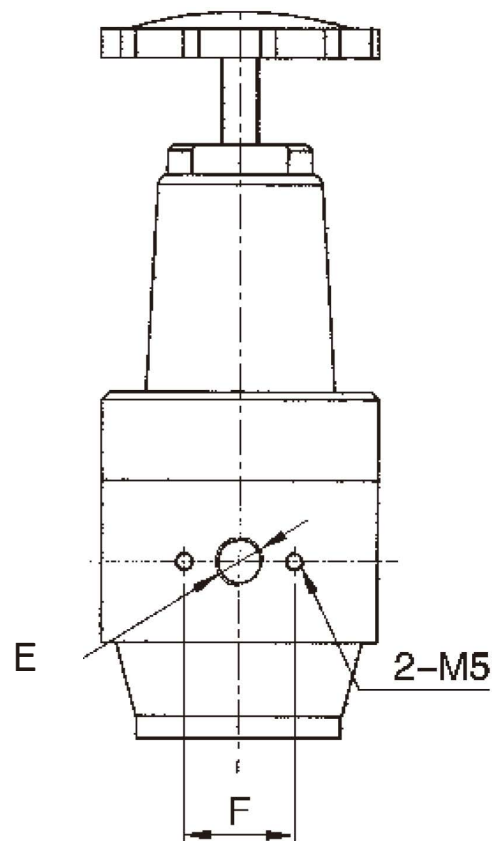
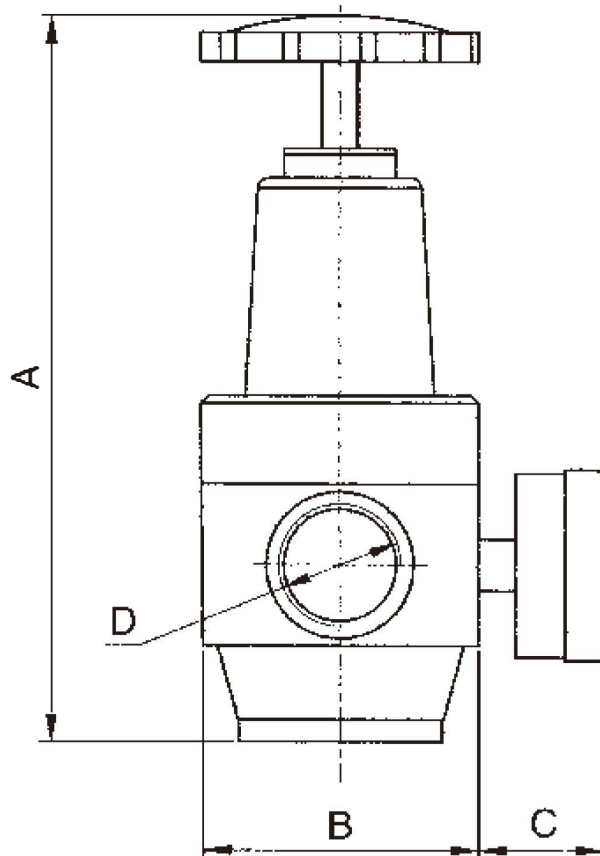




JHR2000, JHR3000, JHR4000



JHR4500, JHR5000



Model	A	B	C	D	E	F
JHR2000	150	55×55	35	G1/4	G1/4	30
JHR3000	150	55×55	35	G3/8	G1/4	30
JHR4000	150	55×55	35	G1/2	G1/4	30
JHR4500	224	75×75	35	G3/4	G1/4	40
JHR5000	224	75×75	35	G1	G1/4	40